

GROVE®

FULL HYDRAULIC SELF-PROPELLED CRANE

INDUSTRIAL MODEL 35

6 TON CAP. - PICK & CARRY
7½ TON CAP. - WITH OUTRIGGERS

SPECIFICATIONS

6 TON CAPACITY PICK AND CARRY MODEL

SUPERSTRUCTURE - STANDARD EQUIPMENT

BOOM - 12' - 20', 2 Section, Full Power Telescoping, 8' Telescope.

BOOM HEAD - Single Sheave.

BOOM ELEVATION - Twin Double-acting Hydraulic Elevation.
Cylinders - 0° to 72°

HOIST - (Main) Cable Whip Hoist, Hydraulic Cylinder mounted in Fly Section, ¾" diameter Cable, Single Line with Hook. Hook Travel 10', Speed 98 FPM, Single Line Pull - 12,000 lbs.

SWING - 140° Rotation, Ball Bearing Swing Circle, actuated by Speed Reducer, powered by Hydraulic Motor.

HYDRAULIC PUMPS - 2 Section, Gear Type, 45 GPM combined capacity.

CRANE CONTROLS - 4 way Double-acting Hydraulic Valves with integral Main and Circuit by-pass Relief Valves. Operating Pressure - 2250 PSI.

HYDRAULIC OIL RESERVOIR - 26.5 gallon capacity.

DIMENSIONS:

HEIGHT (overall) - 8'-11", with 12'-20' Boom, Standard
8'-11", with 14'-30' Boom, Optional

LENGTH (overall) - 24'-7½", with 12'-20' Boom
26'-6½", with 14'-30' Boom

WIDTH (overall) - 92½" TURNING RADIUS - 13'-6"

OPTIONS FOR 7½ TON CAPACITIES

* 7½ TON CAPACITY OUTRIGGER MODELS

OPTION NO. 1 (Outrigger, Boom and Winch Package)

OUTRIGGERS - Front Only. SWING - 140° Rotation

BOOM - 14' - 30', 3 Section, Full Power Telescoping, 16' Telescope.

* BOOM HEAD - 1 Sheave.

HOIST - Model PD10-77, Power Up and Down, Equal Speed, Planetary Reduction with Integral Automatic Brake.
Drum - 9½" diameter x 12¾", 16" diameter Flange.
Single Line Speed - to 220 FPM (Max.) - 100 FPM (full load) on
Single Line Pull - 9000 lbs. (Maximum) bare drum
Cable Capacity - 490' of 1/2" diameter (250', 6x37 Class furnished)

SUPERSTRUCTURE - OPTIONAL EQUIPMENT

*HOIST - Model 40 SECR, Power Up and Down, Equal Speed, Planetary Reduction with Integral Automatic Brake.
Drum - 9" diameter x 16", 22.3" diameter Flange.
Single Line Speed - to 275 FPM (Max.) - 110 FPM (full load) on
Single Line Pull - 9000 lbs. (Max.) bare drum
Cable Capacity - 400' of ½" diameter (250', 6x37 Class furnished)

HOOK BLOCK -

8 Ton, Single Sheave with Ball Bearing Swivel Hook. (with Optional Winch Only).
3 Ton, Headache Ball and Swivel Hook. (with Optional Winch Only).

*BOOM ANGLE INDICATOR - Pendulum Type, mounted on side of Boom.

**MAINTENANCE PLATFORM - Boom Mounted, elevation and leveling are controlled by Boom and Hoist Cable 500 lbs. capacity.

CHASSIS - STANDARD EQUIPMENT

FRAME - Rugged, one piece weldment with steel "I" Beam main frame, Crossmembers, Counterweight enclosed with heavy gauge steel shell, Engine Hood and Sides. Length - 14'-3" - Width - 90"

ENGINE SPECIFICATIONS -

MAKE	GAS
TYPE	Ford 300
BORE AND STROKE	6 Cylinder O.H.V.
MAXIMUM BHP	4.00" x 3.98"
MAXIMUM TORQUE	149 @ 2800 RPM
ELECTRICAL SYSTEM	284 lbs. ft. @ 2000 RPM
	12 Volt

TRANSMISSION - Manual Shift, (4) speeds forward - (4) reverse, helical gear, synchronized in top 3 speeds. Spur gear provided in low. Dry disc type clutch.

DRIVE SHAFT - Heavy duty industrial type with double universal joints

AXLES - Front - DRIVE AXLE, Hypoid Gear with Torsion Flow axle shaft.
Rear - STEER AXLE, Wide-Track Axle Oscillation 0° to 10°

OSCILLATION LOCKOUTS - (2) Positive Hydraulic Ram Type, controlled from operator's position.

STEERING - Hydraulic, Full Power - rear axle.

SERVICE BRAKES - Hydraulic, on Front Wheels - 17½" x 4"

PARKING BRAKES - Mechanical, mounted on transmission drive line. Hand lever control.

TIRES - Front - (4) 9.00 x 20 - 10 ply, Non-Directional
Rear - (2) 8.25 x 15 - 12 ply, Highway Tread

TRAVELING CONTROLS - All Basic Traveling Controls and Engine Instruments including; Hour Meter, Electric Fuel Gauge and Protecto Seal Gas Cap.

FUEL TANK - 32 gallon capacity.

OPTION NO. 2 (Outrigger, Boom and Winch Package)

OUTRIGGERS - Front and Rear. SWING - 270° Rotation

BOOM - 14' - 30', 3 Section, Full Power Telescoping, 16' Telescope.

* BOOM HEAD - 1 Sheave.

HOIST - Model PD10-77, Power Up and Down, Equal Speed, Planetary Reduction with Integral Automatic Brake.
Drum - 9½" diameter x 12¾", 16" diameter Flange.
Single Line Speed - to 220 FPM (Max.) - 100 FPM (full load) on bare drum
Single Line Pull - 9000 lbs. (Maximum)
Cable Capacity - 490' of 1/2" diameter (250', 6x37 Class furnished)

CHASSIS - OPTIONAL EQUIPMENT

**ENGINE SPECIFICATIONS -

MAKE	DIESEL
TYPE	GM3-53N
BORE AND STROKE	3 Cylinder O.H.V.
MAXIMUM BHP	3.875" x 4.50"
MAXIMUM TORQUE	101 @ 2800 RPM
ELECTRICAL SYSTEM	216 lbs. ft. @ 1500 RPM
	12 Volt HD Battery

*ENCLOSED CAB - All steel, fully enclosed, skylight, safety glass windows, weather stripped, electric windshield wiper, left and right hand doors, hot water heater.

*OPEN CAB - (Same as enclosed cab) without; side windows, doors and hot water heater.

*DEFROSTER - Fan Type, Electric.

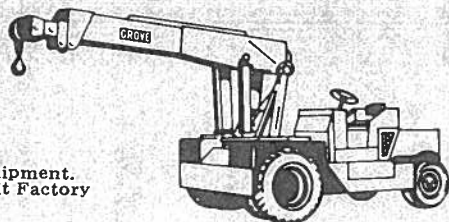
*LIGHTS - Head, Tail, Stop and Back-up, with Horn.

*DIRECTIONAL LIGHTS - Four-way Flasher, Turn Signal Lights. (Requires above optional "Light Package").

*PINTLE HOOK (FRONT) - Flush mounted.

*PINTLE HOOK (REAR) - Flush mounted.

*OUTRIGGERS - Hydraulic, Cantilever type with Integral Safety Check Valves; Mounted at each corner; Individually controlled from operator's position.



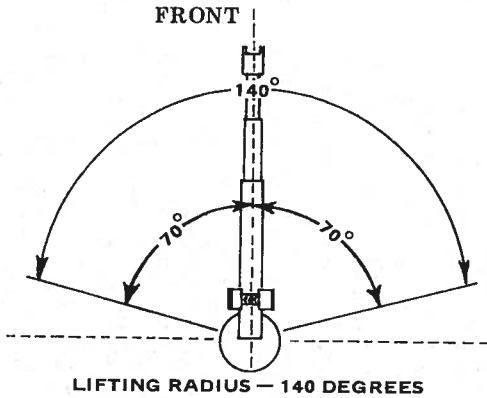
*Denotes Optional Equipment.
**Special Order - Consult Factory for Lead Time.

MODEL 35

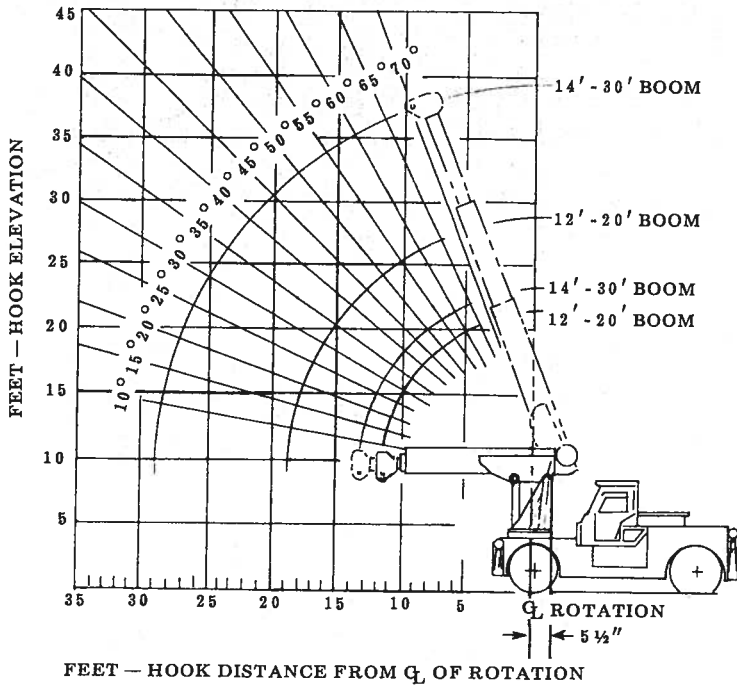
6 TON CAPACITY PICK AND CARRY RATED LIFTING CAPACITIES 12' - 20' BOOM

RADIUS IN FEET	140° SWING ON RUBBER*	
	FRONT	SIDE 70°
5.5	12,000	12,000
8	8,100	8,100
10	6,300	6,000
12	5,800	5,200
14	5,200	3,800
16	4,600	2,800
18	4,000	2,100

*Rear axle lockouts must be set to maintain published capacities.
A6-829-000496



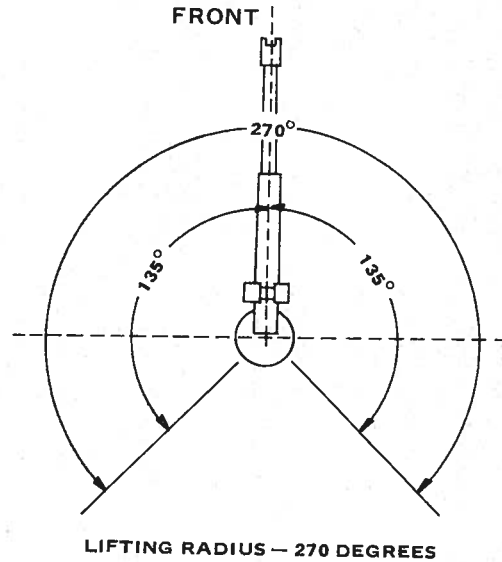
RANGE DIAGRAM
12' - 20' and 14' - 30' BOOMS



7½ TON CAPACITY OUTRIGGERS EXTENDED RATED LIFTING CAPACITIES 14' - 30' BOOM

RADIUS IN FEET	FRONT OUTRIGGERS 140° SWING*	ON RUBBER**	
		FRONT	SIDE (70°)
5.5	15,000	12,000	12,000
8	13,500	8,000	8,000
10	12,000	5,800	5,700
12	9,800	4,625	4,600
15	7,525	3,360	3,150
20	5,350	2,100	1,500
25	4,040	1,300	900

*To maintain capacities from 141° through 270° swing, rear outriggers are required.
**Rear axle lockouts must be set to maintain published capacities.
A6-829-000499



- NOTES TO LIFTING CAPACITIES**
1. Rated lifting capacities, with or without outriggers, are the maximum loads covered by the manufacturer's warranty with the machine standing on a firm, level and uniform supporting surface. Capacities do not exceed 85% of tipping.
 2. For certain conditions, capacities are controlled by machinery strength. In these cases, machine tipping must not be relied upon as the capacity limitation.
 3. The weights of all load-handling devices are considered part of the load lifted and suitable allowances for them should be made.



GROVE MANUFACTURING COMPANY

A DIVISION OF WALTER KIDDE & COMPANY, INC.

SHADY GROVE • PENNSYLVANIA 17256

MEMBER: POWER CRANE & SHOVEL ASSOCIATION

FORM 446670-7.5M

Printed in U.S.A.

Distributed by: